

Half Moon daybed

Half MoonDaybed Collection, The main characteristic is its circular shape and the rotating system on which its base rests, which allows the piece to rotate on its own axis.



Products / Daybed / Half Moon Daybed



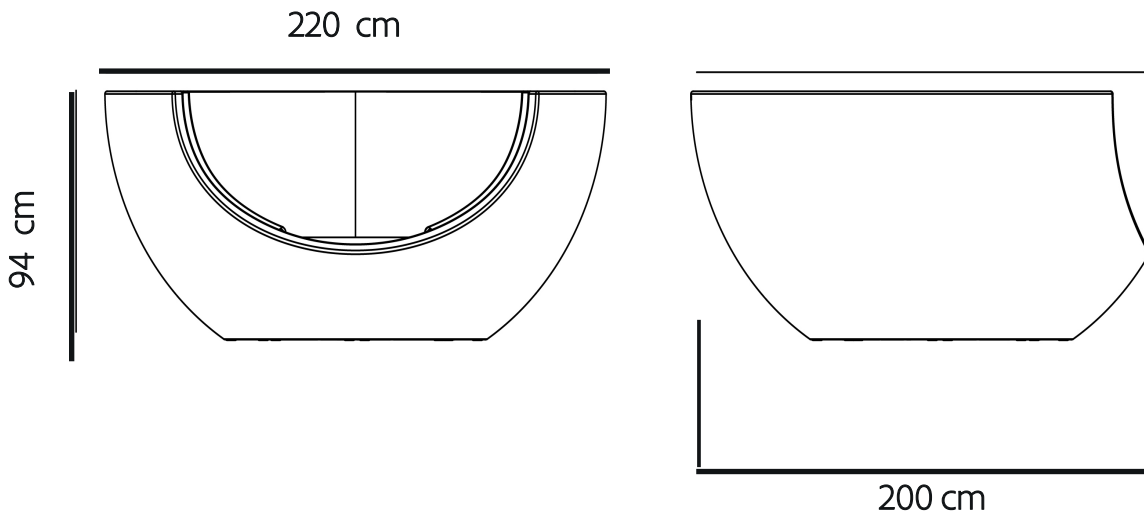
www.rotolex.com

📍 Amman-Jordan
🌐 info@rotolex.com

Description

Made of %100 polyethylene materials Environmentally friendly the product is suitable for indoor and outdoor use
Available in different finishes

Weight: 90 Kg

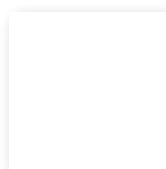


www.rotolex.com

📍 Amman-Jordan
🌐 info@rotolex.com

Finishes

BASIC Ref. 211412



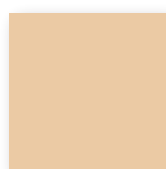
White



Brown



Red



Beige



Light
Purple



Light
Green



Orange



Light
Blue



www.rotolex.com

📍 Amman-Jordan
🌐 info@rotolex.com

ROTOLEX

Ambients



www.rotolex.com

📍 Amman-Jordan
🌐 info@rotolex.com